

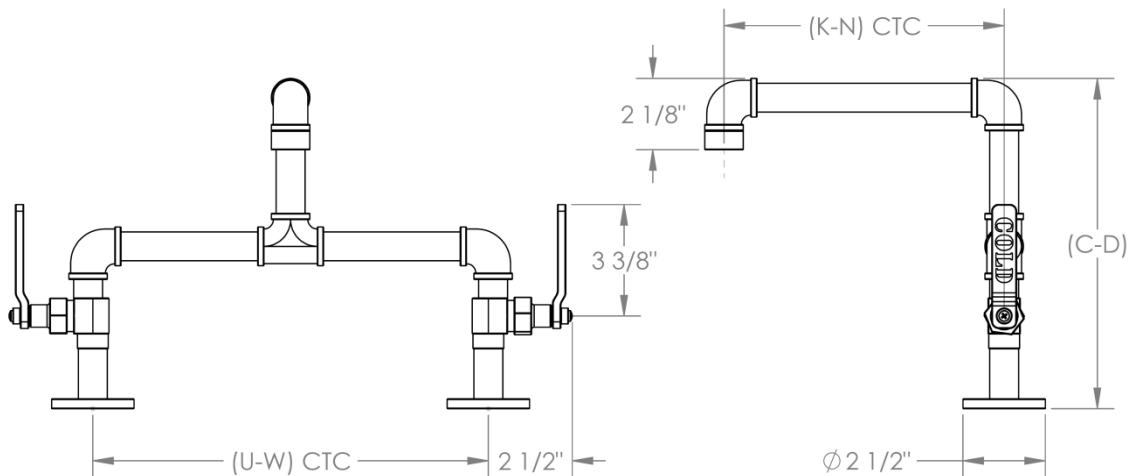
38-2.3-_-_-EV4

Elevated Widespread Faucet
Specify (C-D, K-N, U-W)

C=8"
D=10"

K=5.5"
L=6.5"
M=7.5"
N=8.5"

U=8"
V=12"
W=18"



Meets the applicable requirements of ASME A112.18.1-2005/CSA B125.1-05, entitled "Plumbing Supply Fittings"

WATERMARK DESIGNS 11/3/2014

350 Dewitt Ave Brooklyn NY 11207 USA T 718 257 2800 F 718 257 2144 info@watermark-designs.com